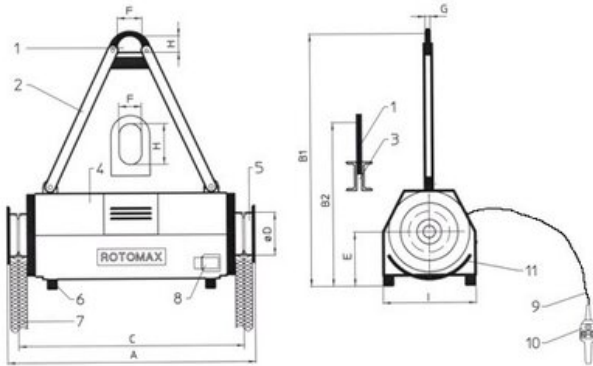


ROTOMAX® R - Load turning device

Product information



Basic equipment with suspension frame for crane hook, with control cable, with push button pendant station left/right and emergency stop, 400 V 50 Hz 3ph, 48 V control voltage, with CEE-plug, 5-pin

Description of items

- Suspension eye
- Standard suspension
- Short suspension (special accessory)
- Steel housing
- Driving wheel
- Rubber foot
- Slings or chains
- CEE-plug, 5-pin
- Control cable
- Pendant control box
- Guide for belt angle limitation

Approved according to machinery directive 2006/42/EC

Marking: CE-marked

Temperature range: +5°C up to +40°C

Part Code	WLL ton	A mm	B1 mm	C mm	D mm	E mm	F mm	G mm	H mm	I mm	B2 mm	Weight kg	Delivery time
6297100006	1	710	770	600	210	265	120	25	80	455	-	190	10
6297100011	1	1,210	1,240	1,100	210	265	120	25	80	455	805	235	10
6297100020	1	2,110	-	2,000	210	265	120	25	200	455	865	450	10
6297200006	2	710	770	600	210	265	120	25	80	455	-	190	10
6297200011	2	1,210	1,240	1,100	210	265	120	25	80	455	805	235	10
6297200020	2	2,110	-	2,000	210	265	120	25	200	455	865	450	10
6297300006	3	710	770	600	210	265	120	25	80	455	-	190	10
6297300011	3	1,210	1,240	1,100	210	265	120	25	80	455	805	235	10
6297300020	3	2,110	-	2,000	210	265	120	25	200	455	865	450	10
6297500006	5	710	770	600	210	265	120	25	80	455	-	200	10
6297500011	5	1,210	1,240	1,100	210	265	120	25	80	455	805	255	10
6297500020	5	2,110	-	2,000	210	265	120	25	200	455	865	470	10
62971000015	10	1,665	1,880	1,500	400	545	100	60	160	635	1,165	1,000	10
62971000020	10	2,165	-	2,000	400	545	100	60	160	635	1,225	1,150	10
62971000030	10	3,165	-	3,000	400	545	100	60	160	635	1,265	1,350	10
62972000020	20	2,415	1,650	2,000	400	545	150	50	240	635	1,355	1,500	10
62972000030	20	3,415	-	3,000	400	545	150	50	240	635	1,455	1,900	10
62972500025	25	2,840	-	2,500	400	660	150	60	320	920	1,765	2,500	10
62973000030	30	3,340	-	3,000	400	660	150	60	320	920	1,765	2,650	10

Blueprint

