

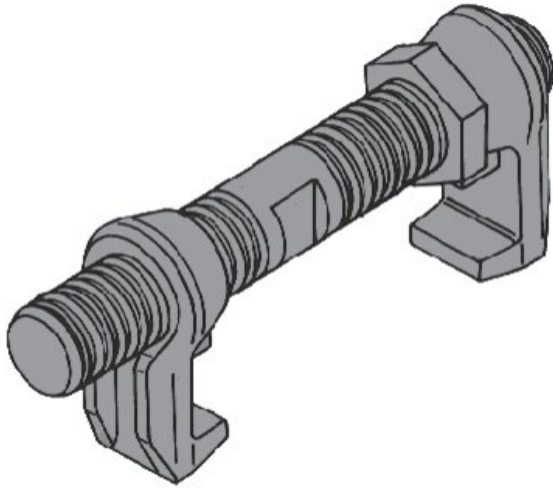
Bridge Fitting

Product information

For use: On top of containers.

Material: Forged steel.

Finish: Galvanized.



Part Code	Code	MBL ton	Dist between cont mm	Weight kg	Delivery time
7061PC1	PC.1	41	25/80	2.8	5

Blueprint

